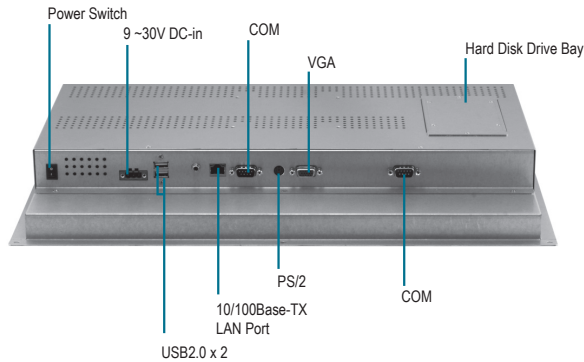


POP-190

19" 16:9 Point of Promotion Panel PC



Features

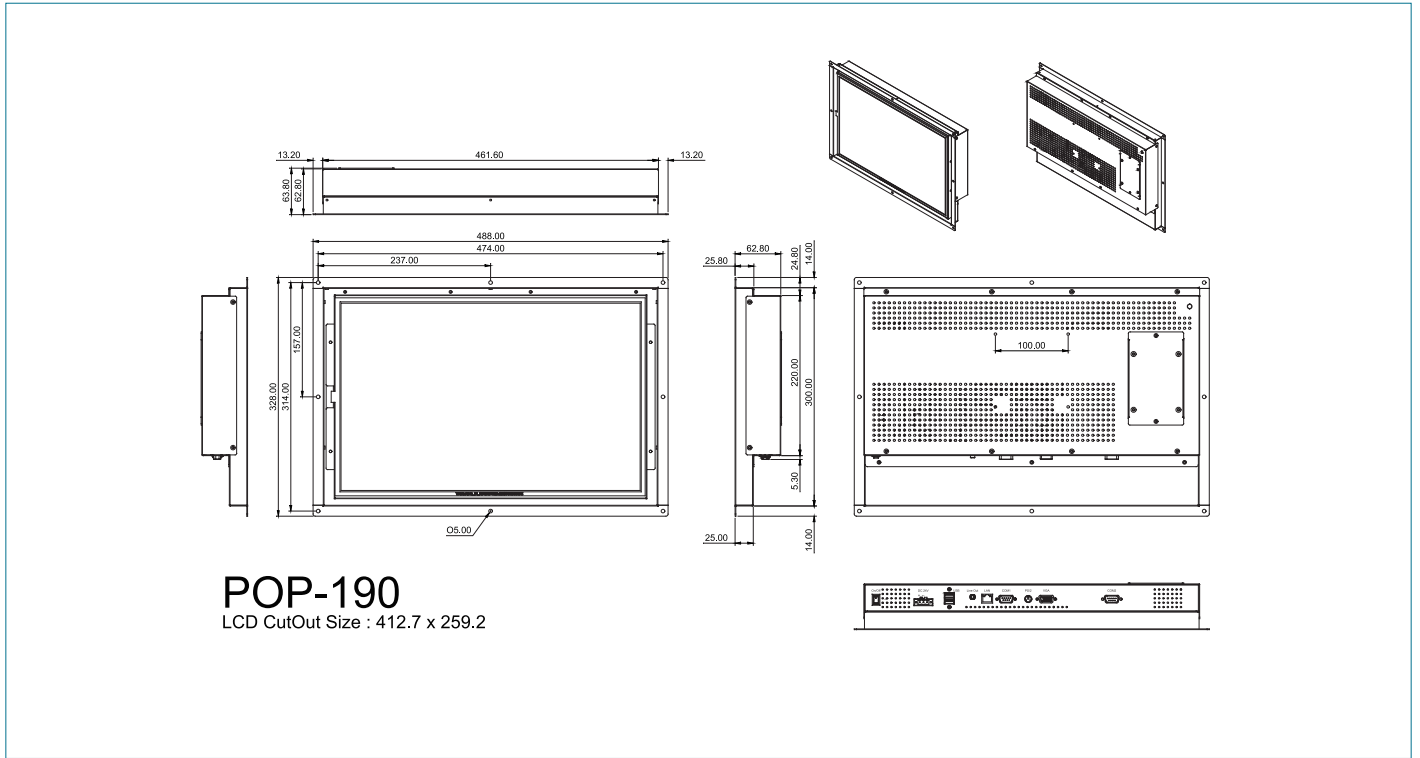
- Onboard Intel Celeron M Low Voltage Processor
- 19" WXVGA Color TFT LCD Display
- Open Frame Design
- Cost-Effective Solution
- Windows® 2000, Windows® XP, Windows® XP Embedded Support
- Touchscreen Support

Specifications

System	
Processor	Intel® Celeron® M 1.5GHz /600MHz
System Memory	512 MB
LCD/CRT Controller	Intel® 852GM
Ethernet	10/100Base -TX, RJ-45 x 1(optional)
I/O Port	RS-232 x1, RS-232/422/485x1 USB2.0 x 2 Audio Line out x 1(optional) PS/2 x 1 (Keyboard + Mouse) VGA out x 1
Storage Disk	2.5" Hard Disk Drive bay /CompactFlash slot(internal)
Expansion Slot	Mini PCI Slot x 1 (internal)
OS Support	Windows® 2000, Windows® XP , Windows® XP Embedded
Mechanical	
Construction	Open frame
Color	SGCC metal color
Mounting	VESA 100
Dimension	19.21" x 12.91" x 2.48" (488mm x 328mm x 63mm)
Gross weight	17.6 lb (8Kg)
Net Weight	14.3 lb (6.5Kg)
Environmental	
Operating Temperature	32°F ~ 104°F (0°C ~ 40°C)
Storage Temperature	-4°F ~ 140°F (-20°C ~ 60°C)
Storage Humidity	10% to 90%@ 40°C, non-condensing
EMC	CE/ FCC Class A
Power Supply	
DC-DC input	Input Range: 9V~30VDC
LCD	
Display Type	19" TFT-LCD
Max. Resolution	1440x900
Max. Color	16.7M colors
Dot Size	0.2835 x 0.2835
Luminance	300 cd/m2
View Angle	160°(H)/160°(V)
Back Light MTBF	50,000
TouchScreen	
Type	5-wire, Analog Resistive
Resolution	2048 x 2048
Light Transmission	80%
Lifetime	35 million activations

POP-190

Dimension Unit: mm



Ordering Information

- **TF-POP-190-HTT-G3-0001-1210**
Intel® Celeron® M 1.5GHz Open frame panel PC with 19" LCD, 512MB RAM and Touchscreen
- **TF-POP-190-HTT-G3-0002-1210**
Intel® Celeron® M 600MHz Fanless Open frame panel PC with 19" LCD, 512MB RAM and Touchscreen
- **TF-POP-190-HT-G3-0001-1210**
Intel® Celeron® M1.5GHz Open frame panel PC with 19" LCD, 512MB RAM
- **TF-POP-190-HT-G3-0002-1210**
Intel® Celeron® M 600M Fanless Open frame panel PC with 19" LCD, 512 MB RAM

Optional Accessories

- **9741666646**
Wireless LAN Kit, IEEE802.11b/g, with Antenna
- **ARM-WK075-0**
Wallmount Kit with VESA 75/100mm Standards
- **2.5" Hard Disk Drive**
- **1702031830**
Power Cord (US Type)
- **1702031831**
Power Cord (European Type)
- **1702031810**
Power Cord (Japanese Type)
- **1757912001**
AC Adapter (Output DC 19V)