

# ONYX-195

Expert Medical Station, 19" LCD with Intel® Core™ 2 Duo Processor



RFID (Optional)

ON Screen Display Control



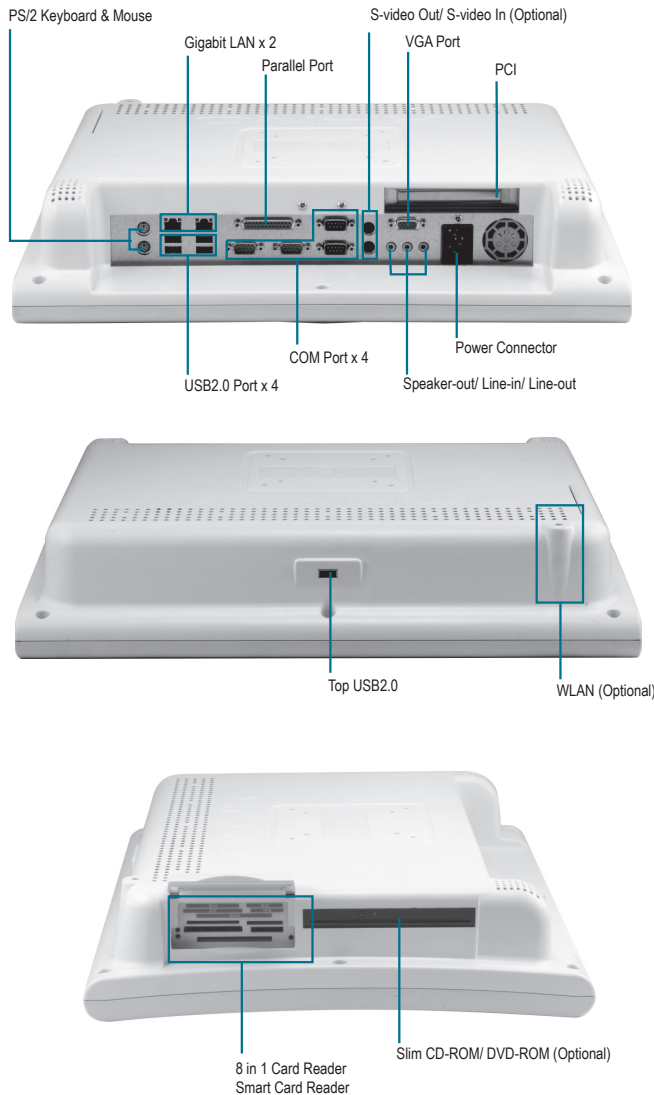
## Features

- 19" True Color Diagnostic Medical PC
- High Performance Intel® Core™ 2 Duo Processor
- Built-in RFID and Smart Card Security (Optional)
- PCI Expansion
- Mini PCI Capture Card Supports Non-DICOM to DICOM CAM (Optional)
- 802.11b/g and Bluetooth Wireless Solution (Optional)



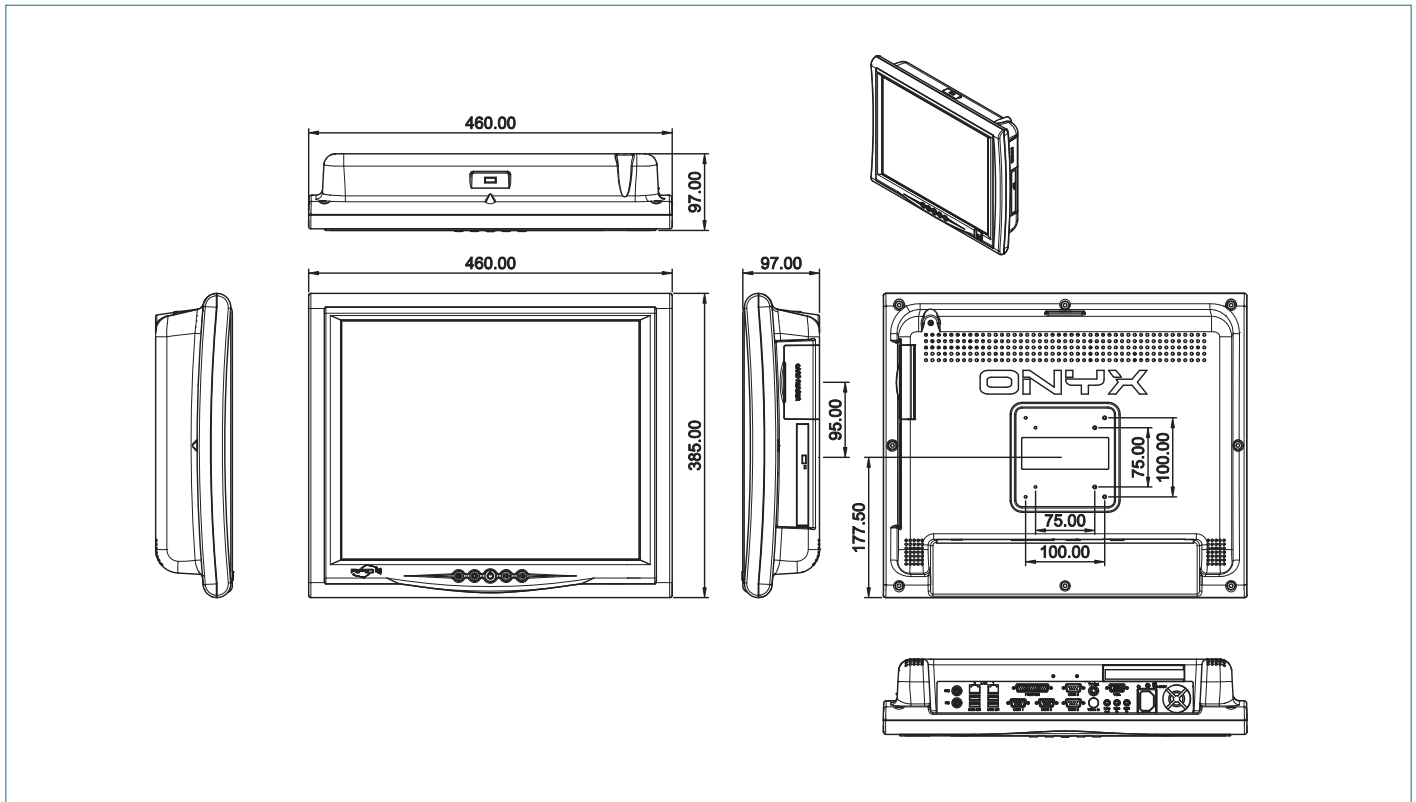
## Specifications

Main Specifications	
Processor	Intel® Core™ 2 Duo Processor (up to 2.16GHz)
System Memory	DDRII SODIMM supports DDRII 400/533/667 up to 2GB
OS Support	Windows® 2000, Windows® XP
Expansion	PCI x 1, Mini PCI x 1
Storage Disk Drive	Slim DVD/CD x 1 (optional), 2.5" SATA Hard Disk Drive x 1 (optional), 8-in-1 Card Reader x 1, Smart Card Reader x 1 (optional)
Display	
Size	19"
Resolution	1280 x 1024
Max. Colors	16.7M
Luminance	300 nits
Contrast Ratio	550:1
View Angle	140°(H)/135°(V)
Back Light MTBF (Hours)	50,000
Touch Screen	Resistive / 2048x2048
I/O	
Audio	MIC-in, Line-in, Line-out
USB	External x 5, Internal x 3
Serial port	RS-232 x 3, RS-232/422/485 x 1
Ethernet	Isolated Gigabit LAN x 2
Parallel port	Printer port x 1
Keyboard & Mouse	PS/2 keyboard x 1, PS/2 mouse x 1
Video	S-video out x 1 / S-video in x 1 (optional)
Speaker	Speaker x 2 (2W)
Mechanical and Environmental	
Power Requirement	115/230V AC
Operating Temperature	32°F ~ 104°F (0°C ~ 40°C)
Storage Temperature	-4°F ~ 140°F (-20°C ~ 60°C)
Mounting	VESA 75/100
Gross Weight	22 lb (10 kg)
Net Weight	18.7 lb (8.5kg)
EMC	CE/FCC Class B, UL 60601-1, EN 60601-1



# ONYX-195

Dimension Unit: mm



## Ordering Information

- **TF-ONYX-195HT-A1-1010**  
Expert Medical Station, Core™ 2 Duo 2.0GHz (T7200) CPU, 19" True Color LCD
- **TF-ONYX-195HTT-A1-1010**  
TF-ONYX-195HT-A1-1010 with R-TS
- **TF-ONYX-195HT-A2-1010**  
Expert Medical Station, Core™ 2 Duo 1.66GHz (T5500) CPU, 19" True Color LCD
- **TF-ONYX-195HTT-A2-1010**  
TF-ONYX-195HT-A2-1010 with R-TS
- **TF-ONYX-195HT-F1-1010**  
Expert Medical Station, Core™ 2 Duo 2.0GHz (T7200) CPU with RFID
- **TF-ONYX-195HTT-F1-1010**  
TF-ONYX-195HT-F1-1010 with R-TS
- **TF-ONYX-195HT-F2-1010**  
Expert Medical Station, Core™ 2 Duo 1.66GHz (T5500) CPU with RFID
- **TF-ONYX-195HTT-F2-1010**  
TF-ONYX-195HT-F2-1010 with R-TS

## Optional Accessories

- **DDRII SODIMM Supports DDRII 400/533/667**
- **TF-PER-M21**  
Smart Card reader kit
- **TF-PER-M00**  
Slim Auto Insertion DVD ROM, 8X, COMBO, White color
- **TF-PER-M03**  
Slim Auto Insertion DVD-RW, White color
- **TF-PER-M29**  
Mini-PCI Capture card
- **TF-PER-M02**  
PCI TV tuner, Capture Card
- **TF-PER-M08**  
Barcode Scanner, 500 scans per second
- **TF-PER-M04**  
USB Skype phone
- **TF-PER-M01**  
Bluetooth 2.0 + EDR USB Module
- **TF-PER-M17**  
USB Finger printer
- **9741666646**  
Wireless LAN Kit
- **PER-M20**  
Desktop Stand with VESA 75/100, Cool gray 3C
- **PER-M19**  
3-level trolley