

ONYX-175X

Diagnostic Medical Station, 17" 300 Nits LCD with Intel® Core™ 2 Duo Processor and Graphic Accelerator



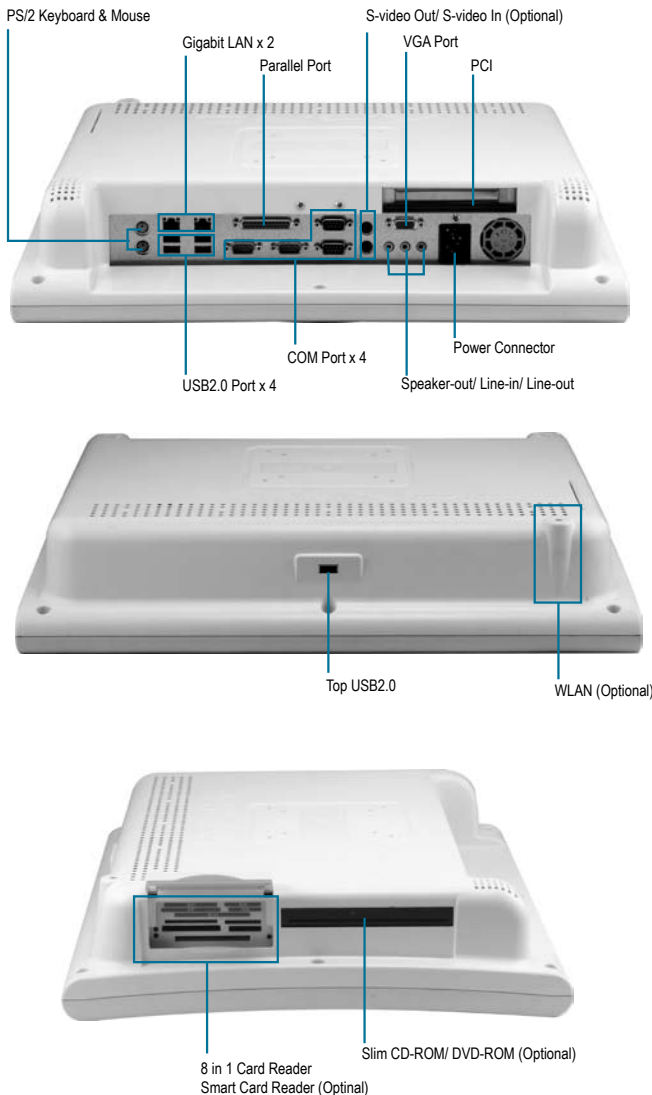
Features

- **MXM Graphic Accelerator**
- **17" True Color Diagnostic Medical Station**
- **High Performance Intel® Core™ 2 Duo Processor**
- **Built-in RFID and Smart Card Reader Security**
- **Supports PCI Expansion**
- **Bluetooth Wireless Solution**



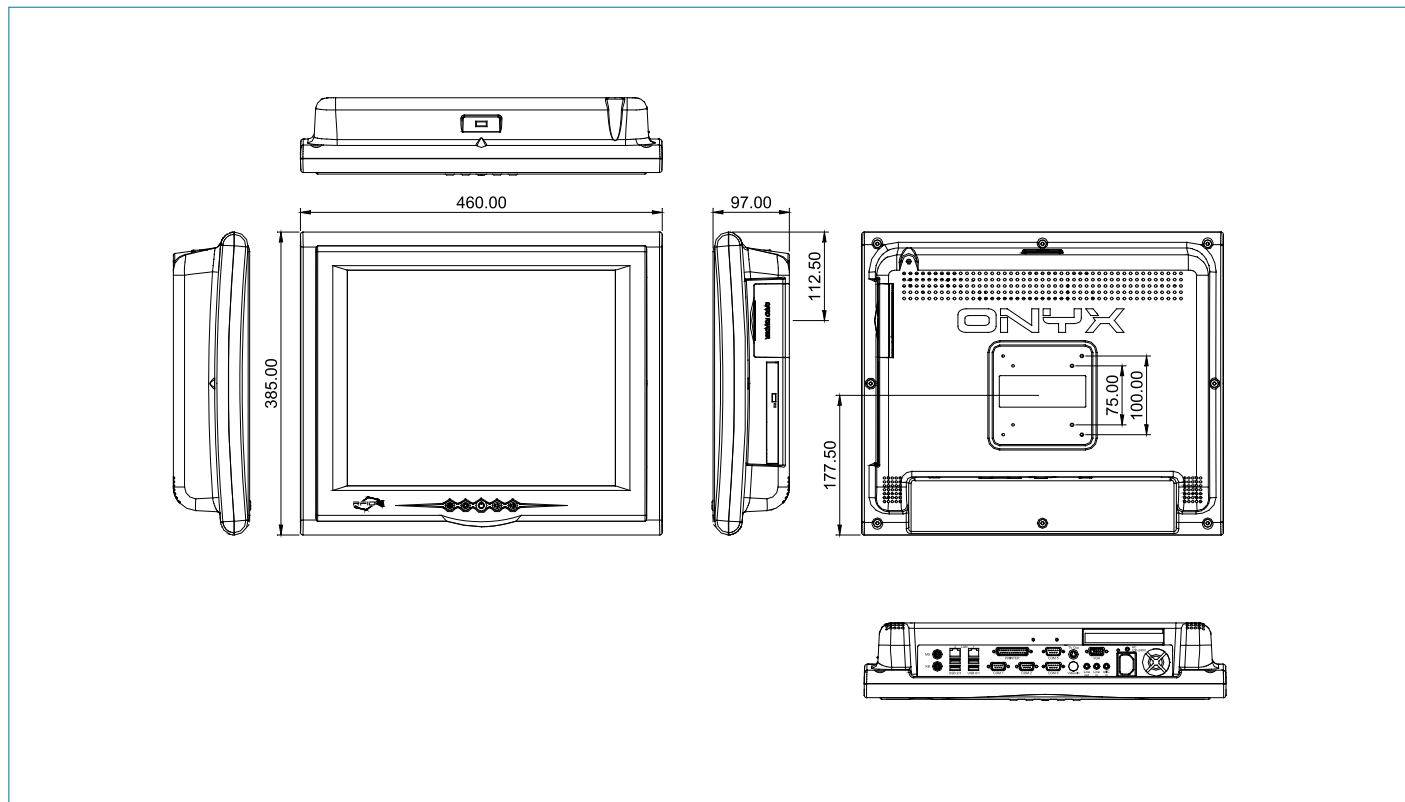
Specifications

Main Specifications	
Processor	Intel® Core™ Duo/ Core™ 2 Duo Processors (up to 2.16GHz)
LCD controller	Intel® 945GM+ E2400 MXM module
System Memory	DDRII SODIMM support DDRII 400/533/667 up to 2GB
OS Support	Windows® 2000, Windows® XP
Expansion	PCI x 1, Mini-PCI x 1
Drive Bay	Slim DVD/CD x 1 (Optional), 2.5" Hard Disk Drive x 1(SATA),
Display	
Size	17"
Resolution	1280x1024
Max. Colors	16.7M
Luminance	300 nits
View Angle	140°(H)/135°(V)
Contrast Ratio	500:1
Back Light MTBF (Hours)	50,000
Touch Screen	Resistive / 2048x2048
I/O	
Audio	MIC-in, Line-in, Line-out
USB	External x 5, Internal x 3
Serial port	RS-232 x 3, RS-232/422/485 x 1
Ethernet	Gigabit Ethernet x 2 (Isolation)
Parallel port	Printer x 1
Keyboard & Mouse	PS/2 keyboard x 1, PS/2 mouse x 1
Video	S-video out x 1 / S-video in x 1 (Optional)
Speaker	Speaker x 2 (2W)
Mechanical and Environmental	
Power Requirement	115/230V AC
Operating Temperature	32°F ~ 104°F (0°C ~ 40°C)
Storage Temperature	-4°F ~ 140°F (-20°C ~ 60°C)
Mounting	VESA 75/100
Gross Weight	22 lb (10Kg)
Net Weight	18.7 lb (8.5Kg)
EMC	CE/FCC Class B, UL 60601-1, EN 60601-1



ONYX-175X

Dimension Unit: mm



Ordering Information

- **TF-ONYX-175XT-A1-1010**
Expert Medical Station, Duo Core™ 2.0GHz T7200 CPU, 17" True Color LCD, MXM
- **TF-ONYX-175XTT-A1-1010**
Expert Medical Station, Duo Core™ 2.0GHz T7200 CPU, 17" True Color LCD, MXM, R-TS
- **TF-ONYX-175XT-A2-1010**
Expert Medical Station, Duo Core™ 1.83GHz T5500 CPU, 17" True Color LCD, MXM
- **TF-ONYX-175XTT-A2-1010**
Expert Medical Station, Duo Core™ 1.83GHz T5500 CPU, 17" True Color LCD, MXM, R-TS
- **TF-ONYX-175XT-F1-1010**
TF-ONYX-175XT-A1-1010 with RFID
- **TF-ONYX-175XTT-F1-1010**
TF-ONYX-175XTT-A1-1010 with RFID
- **TF-ONYX-175XT-F2-1010**
TF-ONYX-175XT-A2-1010 with RFID
- **TF-ONYX-175XTT-F2-1010**
TF-ONYX-175XTT-A2-1010 with RFID

Optional Accessories

- **DDRII SODIMM Supports DDRII 400/533/667**
- **TF-PER-M21**
Smart Card Reader Kit
- **TF-PER-M00**
Slim Auto Insertion DVD ROM, 8X, COMBO, White Color
- **TF-PER-M03**
Slim Auto Insertion DVD-RW, White Color
- **TF-PER-M02**
PCI TV Tuner, Capture Card
- **TF-PER-M08**
Barcode Scanner, 500 Scans Per Second
- **TF-PER-M04**
USB Skype Phone
- **TF-PER-M01**
Bluetooth 2.0 + EDR USB Module
- **TF-PER-M17**
USB Finger Printer
- **PER-M20**
Desktop Stand with VESA75/100, Cool Gray 3C
- **PER-M19**
3-level Trolley