

# FOX-81

## IP-65, 8.4" Multi-Purpose & Water-Proof Panel PC with Intel® Atom™ N270 Processor

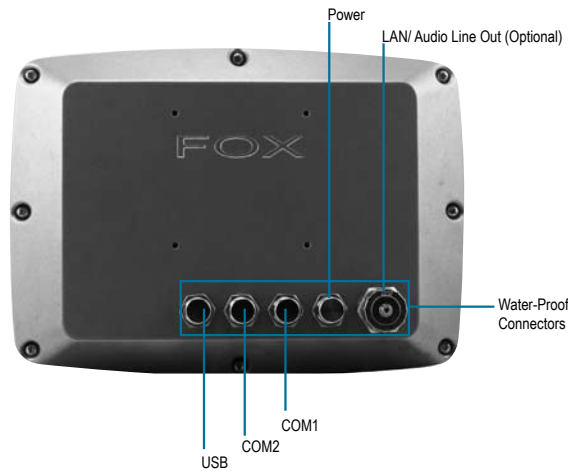
04

FOX Series - Multi-Purpose and Water-Proof Solutions



### Features

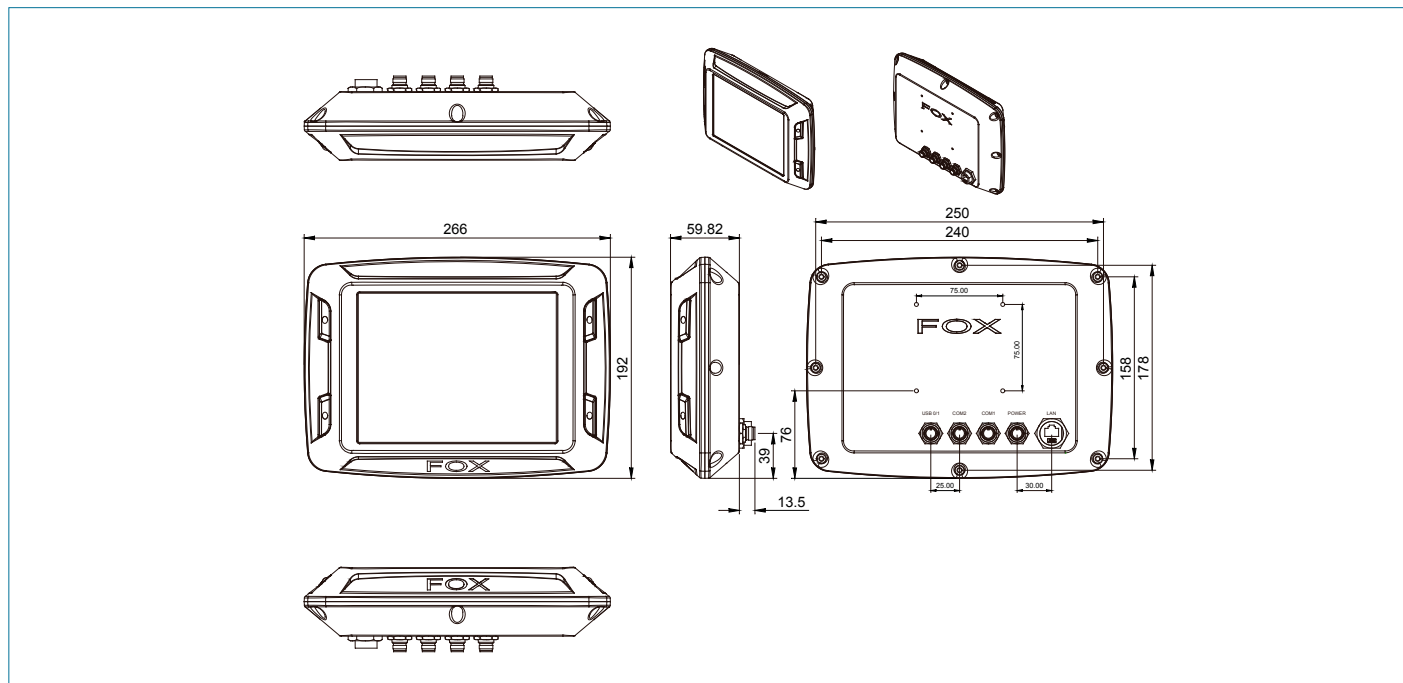
- Onboard Intel® Atom™ N270 1.6GHz Processor
- 8.4" SVGA Color TFT LCD Bonding
- Water-proof Sealing: IP-65 Certified
- High Brightness Display-650 Nits (Optional)
- Windows® XP Embedded Support
- Day and Night Mode Display For Power Saving
- Anti-Freeze Operation
- Ideal for Vehicle Application
- Supports Wireless LAN with Dual Internal Antennas (Optional)
- Water-Proof I/O Connector (IP-67 Rating)



### Specifications

System	
Processor	Intel® Atom™ N270 1.6GHz Processor
System Memory	DDR SODIMM x 1, Max. 2GB
LCD/CRT Controller	Intel® 945GSE
Ethernet	10/100/1000Base-TX, RJ-45 x 1
I/O Port	RS-232 x 1, RS-232/422/485 x 1, USB2.0 x 2, Audio Line out x 1 (optional), 10/100/1000Base-TX, RJ-45 x 1
Storage Disk	SATA DOM
Expansion Slot	Mini PCI slot x 1 (internal)
OS Support	Windows® XP Pro, Windows® XP Embedded
Mechanical	
Construction	Sealed Aluminum Alloy Chassis
Color	Silver Gray
Mounting	VESA 75mm
Dimension	10.5" x 7.6" x 2.4" (266mm x 192mm x 59.8mm)
Carton Dimension	13.86" x 12.91" x 7.72" (352mm x 328mm x 196mm)
Gross Weight	8.8 lb (4kg)
Net Weight	6.6 lb (3kg)
Environmental	
Operating Temperature	-4°F ~ 131°F (-20°C ~ 55°C)
Storage Temperature	-4°F ~ 158°F (-20°C ~ 70°C)
Storage Humidity	10 to 90% @ 40°C, non-condensing
Vibration	3G Random Operation, 5~500Hz
Shock	30G peak acceleration (11 msec. duration)/ operation
Safety	All sides of IP-65 Certificated
EMC	CE/FCC Class A
Power Supply	
DC-DC Input, 90W	Input Range: 9V ~ 30VDC
LCD	
Display Type	8.4" TFT-LCD
Max. Resolution	800 x 600
Max. Color	262K colors
Dot Size	0.213 x 0.213
Luminance (Typical)	650 nits (FOX-81STT) 450 nits (FOX-81ST/HTT)
View Angle	150°(H)/150°(V)
Back Light MTBF (Hours)	50,000
Touchscreen	
Type	4- wire, Low Reflection Analog Resistive (FOX-81STT) 4- wire, Analog Resistive (FOX-81HTT)
Resolution	2048 x 2048
Light Transmission	> 74% (FOX-81STT) > 80% (FOX-81HTT)
Lifetime	10 million activations (FOX-81HTT) 1 million activations (FOX-81STT)

## Dimension Unit: mm



## Ordering Information

- **TF-FOX-81ST-A1**  
Intel® Atom™ N270 1.6GHz Operator Panel with 8.4" LCD, 512MB RAM, 10/100/1000Base-TX Ethernet, XPE on 2G CFD
- **TF-FOX-81ST-B1**  
Intel® Atom™ N270 1.6GHz Operator Panel with 8.4" LCD, 512MB RAM, Audio Line out, XPE on 2G CFD
- **TF-FOX-81HTT-A1**  
Intel® Atom™ N270 1.6GHz Operator Panel with 8.4" LCD, 512MB RAM, 10/100B/1000Base-TX Ethernet, Touch Screen, XPE on SATA DOM
- **TF-FOX-81HTT-B1**  
Intel® Atom™ N270 1.6GHz Operator Panel with 8.4" LCD, 512MB RAM, Audio Line out, Touch Screen, XPE on SATA DOM
- **TF-FOX-81STT-A1**  
Intel® Atom™ N270 1.6GHz Operator Panel with 8.4" LCD, 512MB RAM, 10/100/1000Base-TX Ethernet, Low Reflection Touch Screen, XPE on SATA DOM
- **TF-FOX-81STT-B1**  
Intel® Atom™ N270 1.6GHz Operator Panel with 8.4" LCD, 512MB RAM, Audio Line out, Low Reflection Touch Screen, XPE on SATA DOM

## Optional Accessories

- **9761F08000**  
Wireless LAN kits with Internal Antenna
- **1757910004**  
AC Adapter (100W)
- **1702031802**  
AC adapter Power Cord (US type)
- **1702031803**  
AC Adapter Power Cord (European type)
- **170203180E**  
AC Adapter Power Cord (Japanese type)

## Accessories in Packing

- **1700090208**  
COM (D-SUB) Cable with Waterproof M12 Connector (30cm) (FOX series)
- **1709080251**  
Two USB Y Cables with Waterproof M12 Connector (30cm) (FOX series)
- **M990FOX001**  
3-pin Water-proof Cap Connector for DC-in or Audio Line-out Port (FOX series)
- **P990FOX001**  
Water-proof Cap Connector for LAN Port of FOX series (RJ-45 compliance)