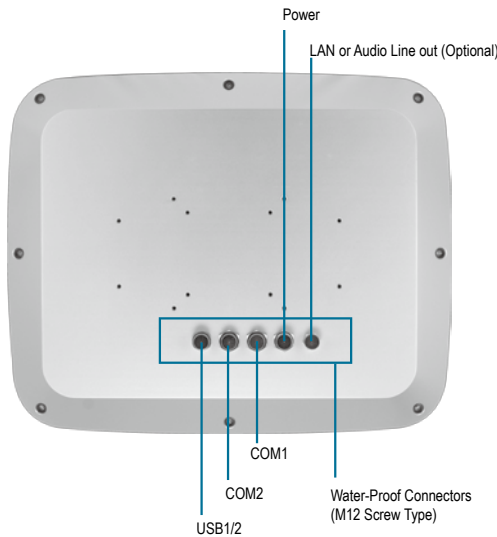
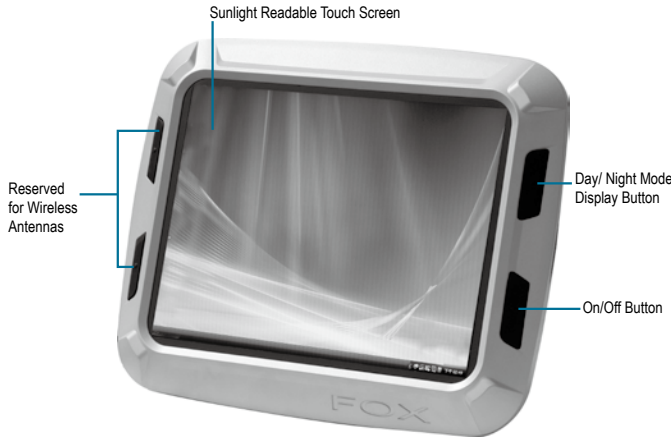


FOX-151

IP-65, 15" Multi-Purpose & Water-Proof Panel PC with Intel® Atom™ N270 Processor

04

FOX Series - Multi-Purpose and Water-Proof Solutions



Features

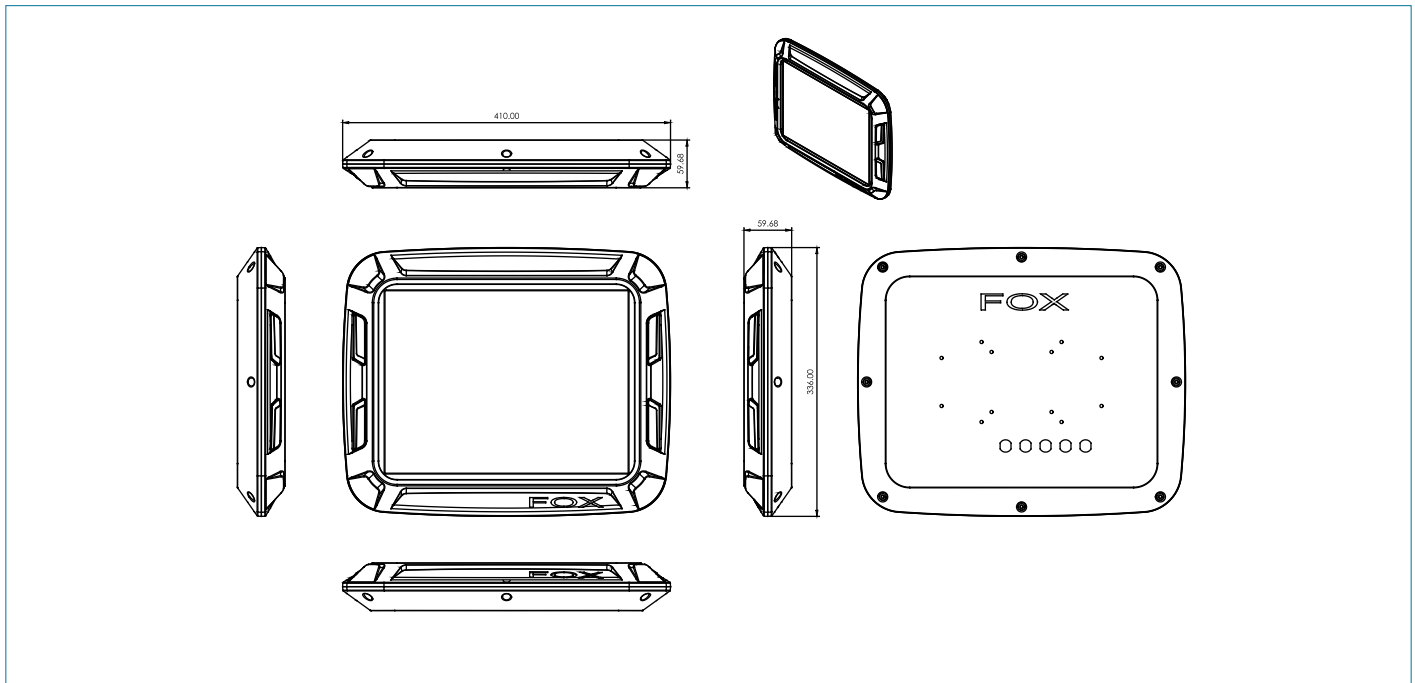
- Onboard Intel® Atom™ N270 1.6GHz Processor
- 15" XGA Color TFT LCD Bonding
- IP-65 Water-Proof Sealing Enclosure
- Sunlight-readable Display with Low Reflection Touch Screen
- Windows® XP Embedded Support
- Day and Night Mode Display For Power Saving
- Anti-Freeze Operating
- Ideal for Vehicle Applications
- Supports Wireless LAN with Dual Internal Antennas (Optional)
- Water-Proof I/O Connector (IP-67 Rating)



Specifications

System	
Processor	Intel® Atom™ N270 1.6GHz Processor
System Memory	DDR SODIMM x 1, Max .2GB
LCD/CRT Controller	Intel® 945GSE
Ethernet	10/100/1000 Base-TX, RJ-45 connector x 1 (optional)
Water-Proof I/O Port	RS-232 x 1, RS-232/422/485 x 1, USB 2.0 x 2, Audio Line out x 1 (optional)
Solid Storage Disk	2.5" Hard Disk Drive Bay (Anti-vibration)/ CompactFlash™ (Internal)
OS Support	Windows® XP, Windows® XP Embedded
Mechanical	
Construction	Sealed Aluminum Alloy Chassis
Color	Silver Gray
Mounting	VESA 100/ 75mm
Dimension	16.14" x 14.41" x 2.36" (410 mm x 366 mm x 60 mm)
Carton Dimension	20.39" x 18.62" x 8.74" (518mm x 473mm x 222 mm)
Gross Weight	19.8 lb (9kg)
Net Weight	16.5 lb (7.5kg)
Environmental	
Operating Temperature	-4°F ~ 131°F (-20°C ~ 55°C)
Storage Temperature	-4°F ~ 158°F (-20°C ~ 70°C)
Storage Humidity	10 ~90%@35°C, non-condensing
Vibration	3G Random Operation, 5~500Hz
Shock	30G peak acceleration (11m sec. duration) / operation
Safety	All sides of IP-65 Certificated
EMC	CE/FCC Class A
Power Supply	
DC-DC Input, 90W	Input Range: 9V~30VDC
LCD	
Display Type	15" TFT- LCD
Max. Resolution	1024 x 768
Max. Color	16.7M colors
Dot Size	0.297 x 0.297
Luminance (Typical)	450 nits (TYP.)
View Angle	160°(H)/160°(V)
Back Light MTBF (Hours)	50,000
Touchscreen	
Type	8-wire, Sunlight readable Analog Resistive (FOX-151STT) 5-wire, Analog Resistive (FOX-151HTT)
Resolution	2048 x 2048
Light Transmission	> 74% (8-wire analog resistive) > 80% (5-wire analog resistive)
Lifetime	1 million activations (8-wire analog resistive) 35 million activations (5-wire analog resistive)

Dimension Unit: mm



Ordering Information

- **TF-FOX-151ST-A1**
Intel® Atom™ N270 1.6GHz Operator Panel with 15" LCD, 512MB RAM, 10/100/1000Base-TX Ethernet
- **TF-FOX-151ST-B1**
Intel® Atom™ N270 1.6GHz Operator Panel with 15" LCD, 512MB RAM, Audio I/O
- **TF-FOX-151HT-A1**
Intel® Atom™ N270 1.6GHz Operator Panel with 15" LCD, 512MB RAM, 10/100/1000Base-TX Ethernet, Touch Screen
- **TF-FOX-151HTT-B1**
Intel® Atom™ N270 1.6GHz Operator Panel with 15" LCD, 512MB RAM, Audio I/O, Touch Screen
- **TF-FOX-151STT-A1**
Intel® Atom™ N270 1.6GHz Operator Panel with 15" LCD, 512MB RAM, 10/100/1000Base-TX Ethernet, Low Reflection Touch Screen
- **TF-FOX-151STT-B1**
Intel® Atom™ N270 1.6GHz Operator Panel with 15" LCD, 512MB RAM, Audio I/O, Low Reflection Touch Screen

Accessories in Packing

- **1700090208**
COM (D-SUB) Cable with Waterproof M12 Connector (FOX series)
- **1709080251**
Two USB Y Cables with Waterproof M12 Connector (FOX series)
- **M990FOX001**
3-pin Water-proof Cap Connector for DC-in or Audio Line-out Port (FOX series)
- **P990FOX001**
Water-proof Cap Connector for LAN Port of FOX Series (RJ-45-compliance)

Optional Accessories

- **9761F15000**
Wireless LAN kits with Internal Antenna
- **1757910004**
AC Adapter (100W)
- **968C204859**
2GB Wide Temperature CompactFlash™ Disk Drive
- **968C409654**
4GB Wide Temperature CompactFlash™ Disk Drive
- **968C819215**
8GB Wide Temperature CompactFlash™ Disk Drive
- **968C016G06**
16GB Wide Temperature CompactFlash™ Disk Drive
- **1702031802**
AC adapter Power Cord (US type)
- **1702031803**
AC Adapter Power Cord (European Type)
- **170203180E**
AC Adapter Power Cord (Japanese Type)
- **1700090208**
COM (D-SUB) Cable with Waterproof M12 Connector (FOX series)
- **1709080251**
Two USB Y Cables with Waterproof M12 Connector (FOX series)
- **M990FOX001**
3-pin Water-proof Cap Connector for DC-in or Audio Line-out Port (FOX Series)
- **P990FOX001**
Water-proof Cap Connector for LAN Port of FOX Series (RJ-45 Compliance)