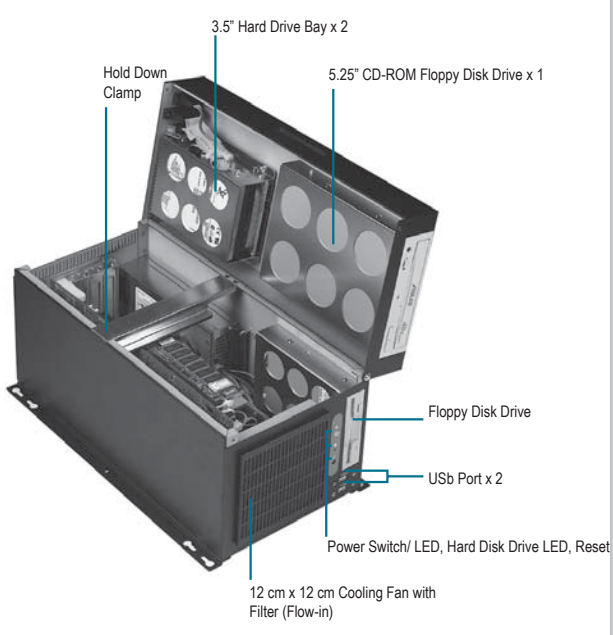
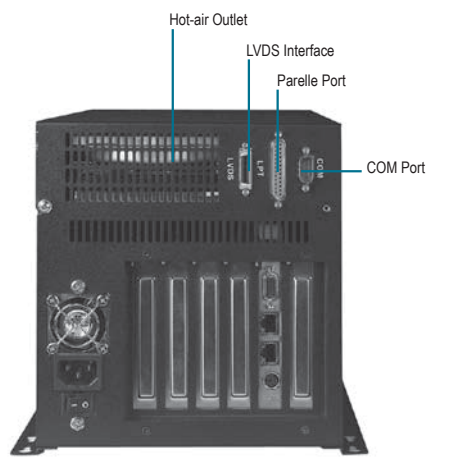


AEC-206

6-slot Wallmount Chassis Full-size/ Half-size CPU Cards Supports



Features

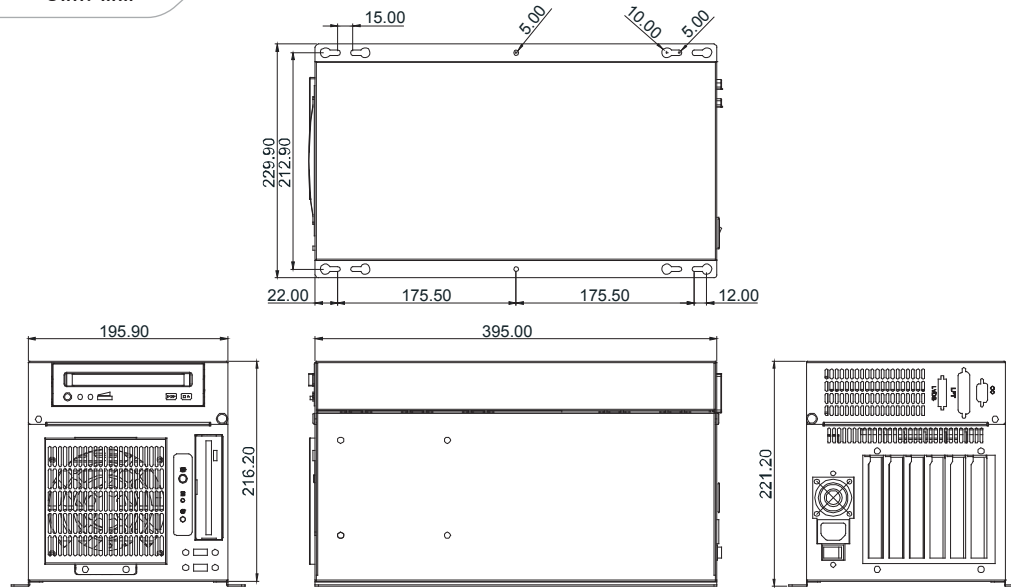
- Supports High Performance Full-size CPU Cards and 6-slot PICMG Bus Passive Backplanes
- Supports Wallmount or Desktop Applications
- Supports One Front Accessible 5.25" CD-ROM And 3.5" Floppy Disk Drive, And Two Internal 3.5" Hard Disk Drives
- One Easy-to-replace Ball Bearing Cooling Fan with Filter for Card Area
- Supports One Card Hold-down Bar



Specifications

System	
Construction	Heavy-duty Steel
Storage	External: 5.25" x 1 (Front Accessible) 3.5" Floppy Drive x 1 (Front Accessible) Internal: 3.5" Hard Disk x 2
System Fan	12cm x 12cm Ball Bearing Fan with Removable Filter (Flow-in) x 1
Front Panel	Power On / Off Switch with LED x 1 Reset Button x 1 Hard Disk Drive Active LED x 1 USB Port x 2
Rear Panel	COM Port x 1 Parallel Port x 1 Reserved Cutout for LVDS Connector x 1
Color	Black
Dimension	7.7" (W) x 15.55" (D) x 8.51" (H) (195.9 mm x 395 mm x 216.2 mm)
Carton Size	12.2" (W) x 13.2" (D) x 20" (H) (310 mm x 335 mm x 510 mm)
Net Weight	17 lb (7.8 kg)
Gross Weight	20 lb (9.2 kg)
Environmental	
Operating Temperature	32°F ~ 122°F (0°C ~ 50°C)
Storage Temperature	32°F ~ 167°F (0°C ~ 75°C)
Operating Humidity	5 ~ 95%
Storage Humidity	5 ~ 95% @ 40°C, non-condensing
Vibration	1G / 5 ~ 500Hz / random operation
Shock	15G peak acceleration (11 msec. duration)
EMC	CE/FCC class A

Dimension Unit: mm



Power Supply Options

P/N	TYPE	PFC Support	Input Voltage	Watt	Size
TF-PW-H150-A-00	ATX	Active PFC	Auto 115-230V	150W	1U (18.5cm)
TF-PW-H200-A-00	ATX	Active PFC	Auto 115-230V	200W	1U (20.5cm)
TF-PW-H250-A-00	ATX	Active PFC	Auto 100/240V	250W	1U (20.5cm)
TF-PW-H300-A-00	ATX	Active PFC	Auto 115-230V	300W	1U (20.5cm)

Passive Backplane Options

P/N	Description	Master Interface	Slots	Power Connector, ATX Extend Function
TF-BP-206SG-P4-A11	Wallmount, PICMG, 6-slot Backplane, 4 PCI, 2 ISA, Single Segment, ATX, Rev. A1.1	PICMG	4/2/2 (PCI/ ISA/ PICMG)	AT, ATX, 3-pin ATX extend
TF-BP-206SI-V60	Wallmount, ISA, 6-slot Backplane, 6 ISA, Single Segment, AT, Rev. 6.0	ISA	0/6/0 (PCI/ ISA/ PICMG)	AT
TF-BP-206SP-P4-A10	Wallmount, PCI, 6-slot Backplane, 4 PCI, Single Segment, ATX, Rev. A1.0	PCI	4/0/2 (PCI/ ISA/ PICMG_PCI)	ATX, 3-pin ATX extend
TF-BP-206SS-P4-A11	Wallmount, PCISA, 6-slot Backplane, 4 PCI, 3 PCISA, Single Segment, ATX, Rev. A1. 1	PCISA	4/0/3 (PCI/ ISA/ PCISA)	ATX, 3-pin ATX extend

CPU Cards Options

Model/Name	Description	Master Interface
TF-SBC-780	Socket 370 for PIII/ Celeron® (.18μ/13μ) up to 1.4GHz (66/100/133MHz)	PICMG
TF-FSB-860B	Socket 478 P4/ Celeron® (.18μ/13μ) up to 3.06GHz (400/533MHz)	PICMG
TF-FSB-865G	Socket 478 P4/ Celeron® (.18μ/13μ) up to 3.6GHz (400/533/800MHz)	PICMG
TF-FSB-866G	Socket LGA 775 P4/ Celeron®-D up to 3.8GHz (533/800MHz)	PICMG
TF-FSB-868G	Socket LGA 775 P4/ Celeron®-D up to 3.8GHz (533/800MHz)	PICMG
TF-HSB-815P	Onboard AMD LX800 CPU	PCI
TF-HSB-811P	Onboard Celeron® M(600MHz); Socket 479 P-M (1.2 GHz)/ Celeron® M (900MHz)	PCI
SBC-659	Socket 370 for PIII and Celeron® up to 1.4GHz (66/100/133MHz)	PCI
TF-HSB-813S	Socket 479 P-M (2.0 GHz)/ Celeron® M (900MHz)	PCISA
HSB-660S	Socket 370 for PIII and Celeron® up to 1.4GHz (66/100/133MHz)	PCISA
TF-HSB-668I	Onboard VIA CoreFusion 533 MHz CPU	ISA
HSB-660I	Socket 370 for PIII and Celeron® up to 1.4GHz (66/100/133MHz)	ISA

Ordering Information

Model/Name	Description	Remark
TF-AEC-206-B	Wallmount, 6-slot Chassis Bare for 1U Power, PS_SW (AT/ATX), Black	